

# GRIPPER

## Electronic Tire Inflator



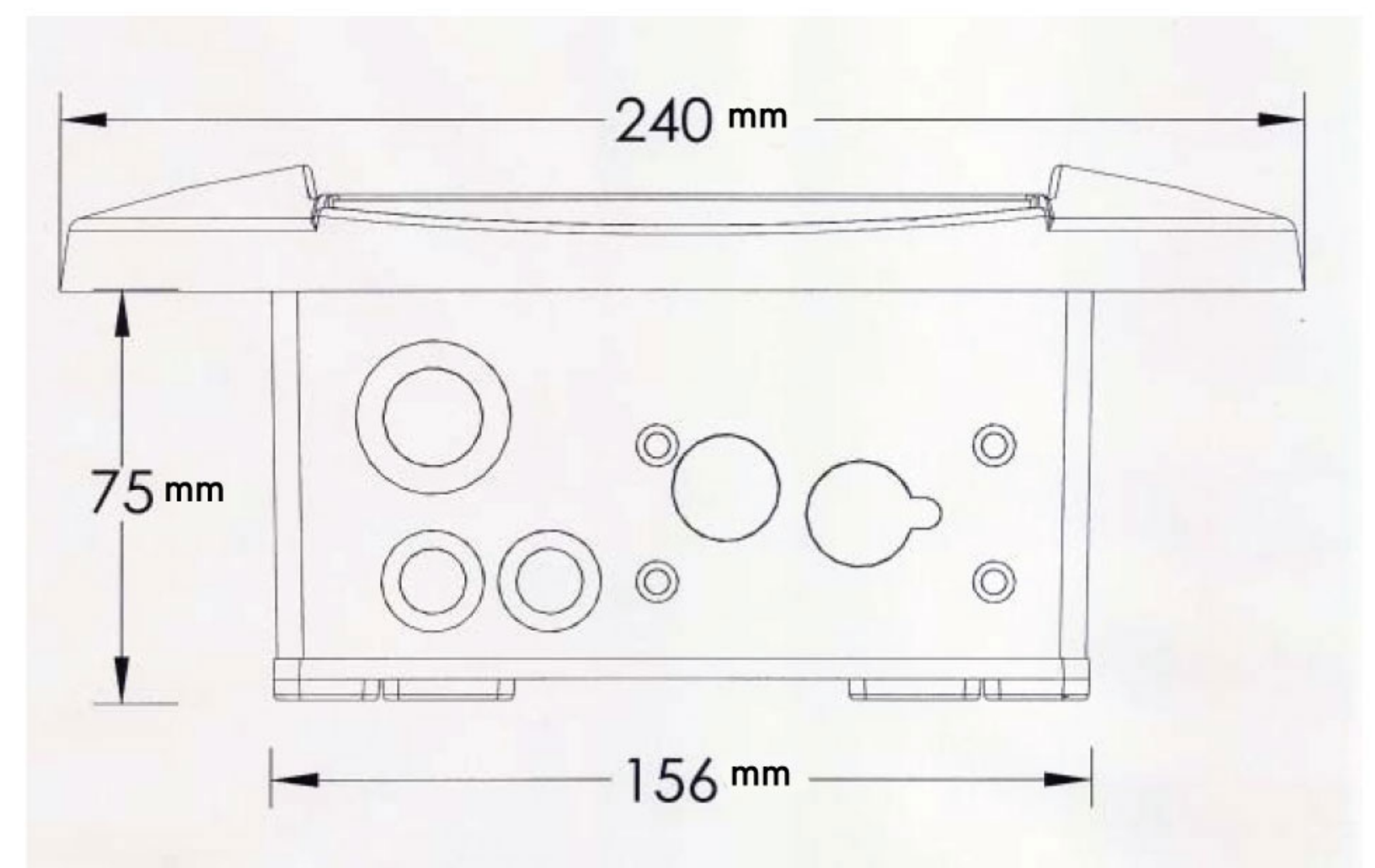
The **GRIPPER** Electronic Tire Inflator is a unique, fully automated digital system.

It increases (or decreases) the tire pressure to a preset desired pressure, automatically.

### Features and Benefits:

- user friendly, fast, accurate and flexible
- backlit LCD to display pressure readings (choice: BAR, PSI, or kPa)
- automatic 6 seconds calibration
- built-in heater for all weather conditions with low power consumption
- hermetic design, for indoor or outdoor use
- automatic power supply detection, works worldwide
- vandalism resistant, unbreakable
- durable and reliable keyboard/buttons, lifespan = 10 million operations
- excellent device to aid customers at fuel depots, convenience stores and service stations
- higher productivity at quick lube shops, car dealerships and tire shops

### Technical Specifications:



- Voltage Range: 90  $\Leftrightarrow$  240 VAC
- Power Consumption: 16 W
- Operation Temperature Range:  
-40 °C (-40 F)  $\Leftrightarrow$  70 °C (158 F)
- Weight: 2,5 kg (5.5 lbs)
- Maximum Inflation Pressure:  
10 BAR = 145 PSI = 1000 kPa
- Accuracy:  
0,01 BAR = 0.15 PSI = 1 kPa

[www.stokair.eu](http://www.stokair.eu)



# GRIPPER

## Electronic Tire Inflator

**NEW**



[www.stokair.eu](http://www.stokair.eu)